

ZL-1702 *Zwei L* Glass Door Hinge

Features

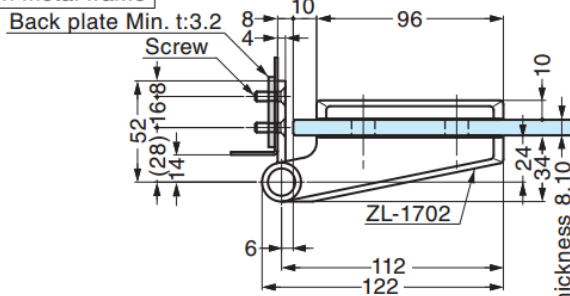
- Use in pairs
- Superior "Zwei L Finish" - *Zwei L* represents the very pinnacle of ultra-premium Japanese hardware design. The contrasting bands of mirror finish and lustrous satin on a faceted profile give a jewel like finish that highlights and enhances any industrial design

Parts Included

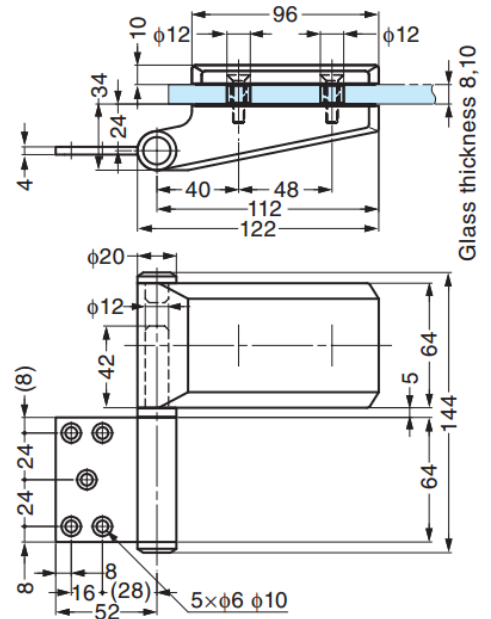
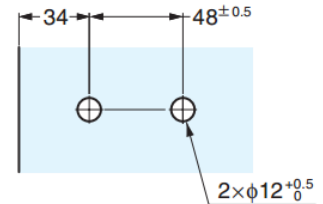
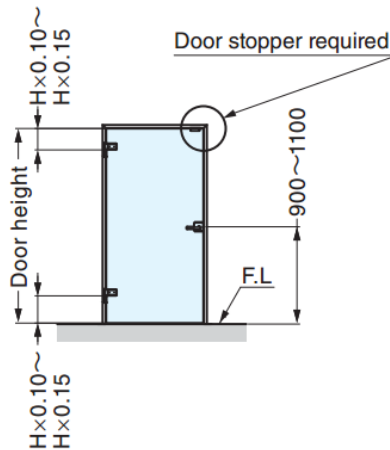
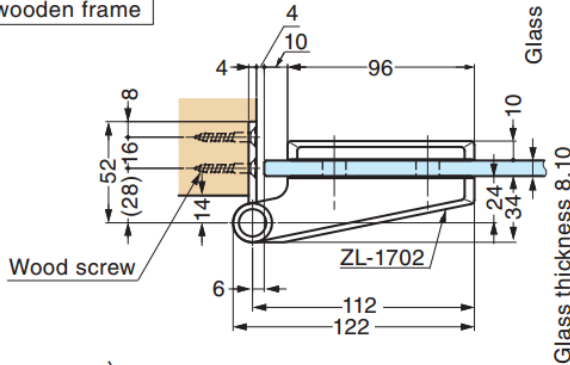
- Countersunk head screw 4.8x32
- Screw M5x16
- Allen key



On metal frame



On wooden frame



Part No.	Material	Finish	Door Width	Door Height	Glass Thickness	Door Weight
ZL-1702	Stainless Steel 316	Zwei L Finish	Max. 900	Max. 2500	8, 10	Max. 50 kg / 2 pcs